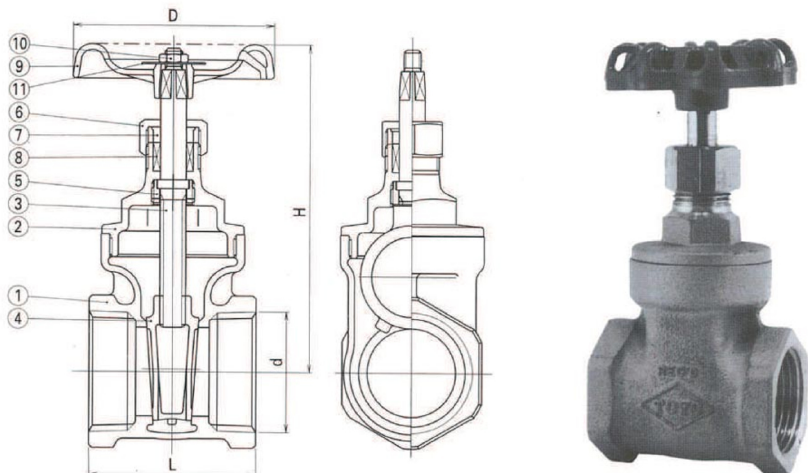


## PN16 BRONZE GATE VALVES

Swing type, Y-pattern, screwed cap, integral disc, screwed ends.



### WORKING PRESSURES

Working pressureNon-shock		Test pressure	
Saturatad steam		Cold Water,Oil,Gas	
Shell(water)		Seat(air)	
Psig	125	232	348
Bar.	8.6	16	24

### MATERIAL

No.	Name of parts	ASTM Specifocations	
1	Body	Cast Bronze	B584-C84400
2	Bonnet	Cast Bronze	B584 C84400
3	Stem	Allobrass	C3531
4	Disc	Cast Bronze	B584-C84400
5	Lock nut	Foroed brass	B124-C37700
6	Packinonut	Forged brass	B283-C37700
7	Gland	Forged brass	C3604BD
8	Gland packing	Non-asbestos packino	T#2996-NA
9	Handwheel	1/4-3/4	Zinc alloy die casting
		1-4	Aluminum alloy die casting
10	Wheel nut	I Steel (Zinc plated)	A563 Gr.A
11	Name plate	Aluminum plat e	B209-1100

\* Resist-Dezincification Material (Toyo copper alloy Pat. No. 845351)

## DIMENSIONS

Size Mark	¼	¾	½	¾	1	1¼	1½	2	2½	3	
L	in.	1.57	1.57	1.69	1.89	2.08	2.36	2.48	2.79	3.42	3.77
	mm	40	40	43	48	53	60	63	71	87	96
H	in.	2.91	2.91	3.03	3.42	3.93	4.60	5.03	5.97	7.07	8.21
	mm	74	74	77	87	100	117	128	152	180	209
O	in.	1.89	1.89	1.89	2.16	2.48	2.75	2.75	3.14	3.54	3.93
	mm	48	48	48	55	63	70	70	80	90	100

## WEIGHT

lb	0.44	0.55	0.75	0.99	1.56	1.98	3.01	8.34	11.84	12.50	24.16
kg	0.28	2.27	0.26	0.43	0.61	0.96	1.40	2.27	3.96	5.68	10.98

Note:  
End threads conform to the American, British or Germany standard pipe threads.

Related: Gate Valve, logo