

Model ME-LED MAGNETIC LED LIGHT STAND

Our original LED stand, light weight with modern style!



ME-LED-5 ME-LED-5L ME-LED-10

[Application]

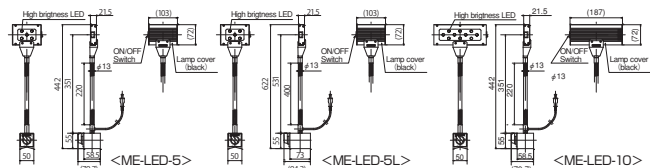
For field & shop processing work on machine tables, as well as a table lamp on a steel desk!

[Features]

- High intensity 5 light or 10 light models use only 5W/ 10 W for power savings.
- LED one piece lighting unit is light weight and compact.
- Thin lighting of 21.5mm only is adopted for all models.

As setting space is not taken, it is suitable to be used in a narrow place.

- With strong magnetic attractive force, it can be easily installed not only on horizontal place but also on sloped surfaces. Adjustable lighting positions are made with the flexible neck.



[mm (in)]

Model	Type	Holding power	Height	LED	Luminous Flux	Power Source	Power Consumption	Cord Length	Mass
ME-LED-5	Standard type	800N (80kgf)	442 (17.4)	5 lights	Approx 400lm	100 VAC	Approx 5W	1.6m	1.45kg/3.19 lb
ME-LED-5L	Tall type	1000N (100kgf)	622 (24.48)						1.83kg/4.03 lb
ME-LED-10	Bigger light type	800N (80kgf)	422 (16.61)				10 lights		Approx 800lm

*Repair and replacement of the LED is not possible.

Model ME-BL LED LIGHT STAND

Energy saving, high brightness, lights near and far !



ME-BL20F ME-BL10F ME-BL5M

[Application]

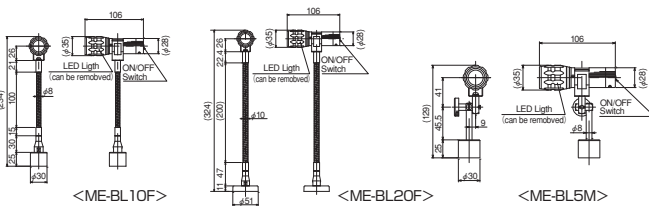
It can be used under various situations not only working place but also precise processing, inspection work, spot lighting, DIY Work or outdoor work.

[Features]

- High brightness LED has a 2-stage zoom & brightness switch. Range and intensity can be adjusted.
- In case of Flexible Tube type, lighting direction can be set up easily.

The mechanical lock type is compact and can be locked by one touch, effective even in a narrow place.

- LED light can be removed from the holder and used anywhere.
- LED light (only) comes with a soft case.



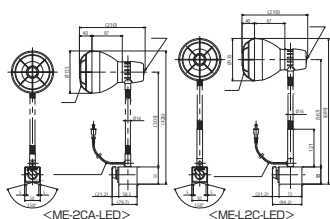
[mm (in)]

Model	Type	Holding power	Height	LED Light				Mass
				LED	Illuminance	Battery	Battery Life	
ME-BL10F	Standard type	150N (15kgf)	234 (9.21)	High brightness LED × 1	Approx 2000lx ※ 1	AAA battery × 3 ※ 2	Continuous lighting Approx 5 hours	300g/661 lb
ME-BL20F	Tall type	100N (10kgf)	324 (12.75)					330g/727 lb
ME-BL5M	Mechanical lock type	150N (15kgf)	129 (5.07)					300g/661 lb

*1 Distance 500mm, Initial value when using new alkaline batteries *2 Batteries not included

Model ME MAGNETIC LED LAMP STAND

Lamp stand exclusive for compact type light bulb shape LED lamp!



[Application]

Suitable for spot lighting in assembling, inspection work or work by machine tools.

[Features]

- Designed exclusively for bulb type LED lamp. The lamp fixture is compact in comparison with a conventional lamp stand.
- Bulb type fluorescent lamp can be used in addition to bulb type LED lamp.
- With strong magnetic attractive force, it can be easily installed not only on horizontal place but also on sloped surfaces.

In addition, proper angle of lighting is available at discretion by flexible tube.

Adjustable lighting positions are made with the flexible neck.

[mm (in)]

An example of vertical usage

Model	Type	Holding power	Height	Cord length	Bulb Capacity	Adaptable Bulb	Mass
ME-2CA-LED	Standard type	800N (80kgf)	426 (16.77)	1.6m (62.99)	AC100V 20W以下	Bulb type LED or fluorescent lamp (base E26)	1.5kg/3.3 lb
ME-L2C-LED	Tall type	1000N (100kgf)	689 (27.12)				2.5kg/5.5 lb

*LED bulbs are not included *Incandescent light bulbs can not be used

*Included shade is only for LED bulb. The mounting for conventional products is impossible



ELECTROMAGNETIC CHUCKS
CHUCK CONTROLLERS
PERMANENT ELECTROMAGNETIC CHUCKS
MAGNETIC CHUCKS
BLOCKS FOR MC
VACUUM CHUCKS
PROMELTA SYSTEM
SINE BAR CHUCKS
MAGNETIC BLOCKS
WORKING TOOLS
MEASURING TOOL HOLDERS
MAGNETIC HOLDERS
MAGNETIC TOOLS

Model ME MAGNETIC LAMP STAND

Standard type



Holding Power
800N

ME-2CA

Simple type



Holding Power
300N

ME-N2A

Fluorescent lamp type



Holding Power
1000N

ME-F1C

Tall type



Holding Power
1000N

ME-L2C



Reflective plate type

Rigidity increased by enlarging diameter of flexible tube.

Shade temperature rise minimized and bulb protected from dust.

Holding Power
800N

ME-2CA-R

Energy saving lamp type

Environmentally Friendly

100VAC/12W bulb included.



Holding Power
800N

ME-ELC



Dedicated fluorescent lamp

Outdoor type



Holding Power
1000N

ME-5RA

100VAC/200W bulb included.



Comparison of illuminance with and without special reflective plate (LUX)

Bulb	With reflective pate	Without reflective plate
40W	850	300
60W	1300	420
100W	2100	640

[Application]

The magnetic lamp stands allow the magnet to be turned on and off quickly, and thus can easily be installed in any place, removed and relocated. These stands are most suitable for illumination of work areas on workbenches or machine tools.

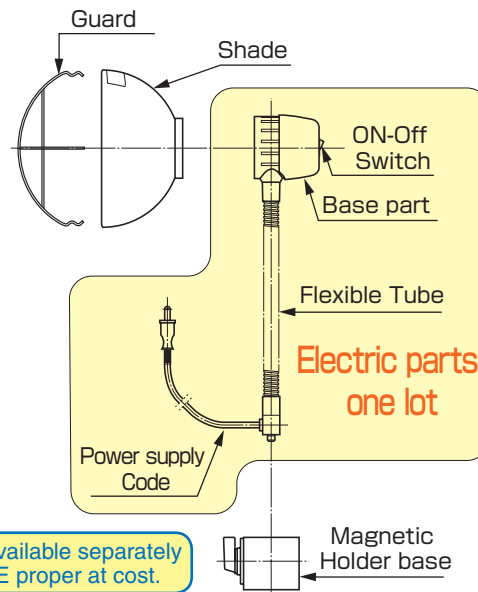
Thanks to a strong holding power by a small and light weight, yet strong magnet, these stands can easily be mounted not only on a horizontal face, but inclined face and vertical face. The flexible tube enables it to obtain an optimum illuminating angle.

[Features]

- While the installation position is fixed by the attractive face, an illuminating direction can be changed freely.
- The protective guard protects the bulb from breakage when the lamp falls.
- The employment of an oil resistant power cord enables these stands to be used in various workplaces.
- Illuminance tripled and heat generation reduced 50%. Great energy saving
- Problems associated with incandescent lamps having good color rendering ※ have been resolved.
- Long-hour work does not cause eye fatigue and thus this model is most suitable for visual inspections and reading fine scales on measuring instruments.
 - ※ **Color rendering**...A level of easiness of reading vernier scales and fine articles.
- A spiral type fluorescent lamp having high luminous intensity distribution efficiency is used.
 - A lamp equivalent to 12W (100V) is as bright as a 60W incandescent lamp.
- Heat generated during operation has been reduced significantly.
 - When compared with temperature rise of a 60W incandescent lamp, temperature is lower by about 40%.
- A long life; a service life is 5 times longer than incandescent lamps.
 - Average life as long as 10,000 hours.
- The lamp is housed inside the shade, which protects the lamp from being broken when it falls.

※A bulb is not included except for ME-5RA and ME-ELC. Use a bulb of base E26.

<Main parts name for ME>



Parts is available separately from ME proper at cost.

Model	Type	Holding Power	Height	Cord Length	Bulb Capacity	Mass
ME-2CA	Standard type	800N (80kgf)	440 (17.3)	1.6m (62.9)	100 VAC Upper limit 100W, optimum 60W	1.6kg/3.5 lb
ME-2CA-R	Reflective plate type				100 VAC Upper limit 100W, optimum 40W	1.7kg/3.7 lb
ME-N2A	Simple type	300N (30kgf)	460 (18.1)		100 VAC Upper limit 100W, optimum 60W	1.2kg/2.6 lb
ME-L2C	Tall type	1000N (100kgf)	704 (27.7)			2.2kg/4.8 lb
ME-F1C	Fluorescent lamp type		440 (17.3)			2.0kg/4.4 lb
ME-ELC	Energy saving lamp type	800N (80kgf)	444 (17.4)		100 VAC Upper limit 60W, optimum 60W	1.6kg/3.5 lb
ME-5RA	Outdoor type	1000N (100kgf)	248 (9.76)	5.0m (196.8)	100 VAC 200W	2.0kg/4.4 lb

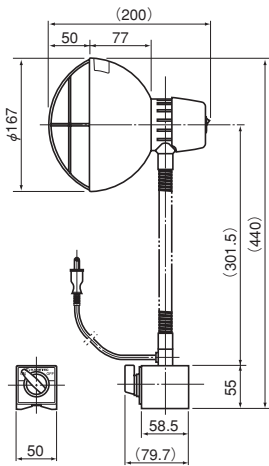
※When using a stand with 100W incandescent lamp for long hours, no rating problem arises, but caution against overheating when handling it.
 ※Depending on the dimensions of bulb type fluorescent lamp, they may be used on ME-2CA.
 ※The holding power applies to SS400, plate thickness 10 mm and ground surface.



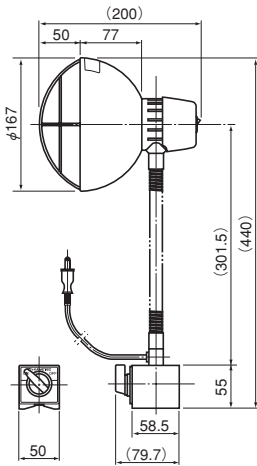
Precautions for use

- A lamp must be of the correct rating. The use of a lamp exceeding the rating will cause injury or accident due to heat.
- For replacement lamps, please use Kanetec recommended lamps for safe operation. Please contact your nearest dealer or Kanetec sales office.

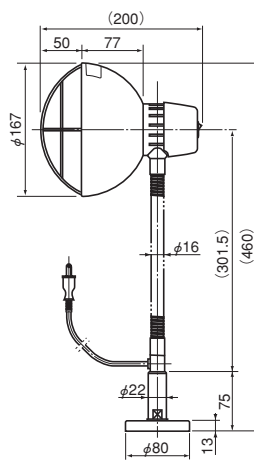
<ME-2CA-R>



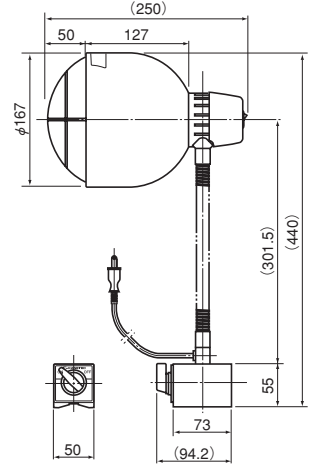
<ME-2CA>



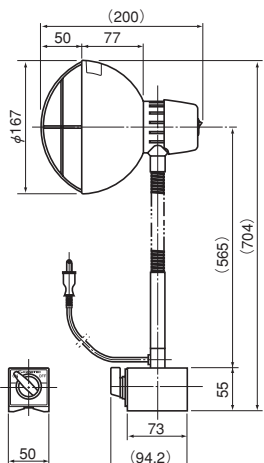
<ME-N2A>



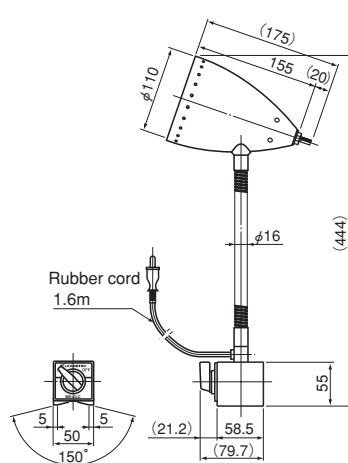
<ME-F1C>



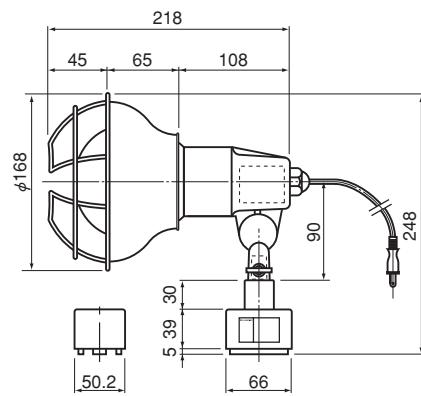
<ME-L2C>



<ME-ELC>



<ME-5RA>



ELECTROMAGNETIC CHUCKS
 CHUCK CONTROLLERS
 PERMANENT MAGNETIC CHUCKS
 PERMANENT ELECTROMAGNETIC CHUCKS
 BLOCKS FOR MC
 VACUUM CHUCKS
 PROMELTA SYSTEM
 SINE BAR CHUCKS
 MAGNETIC BLOCKS
 WORKING TOOLS
 MEASURING TOOL HOLDERS
 MAGNETIC HOLDERS
 MAGNETIC TOOLS